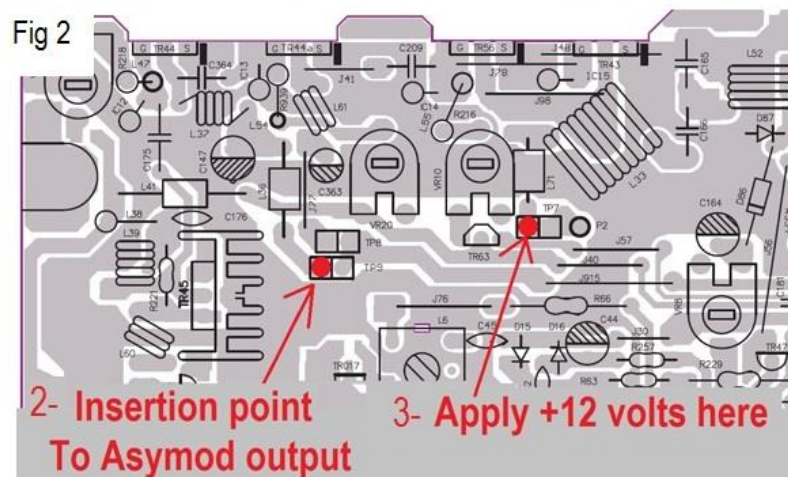
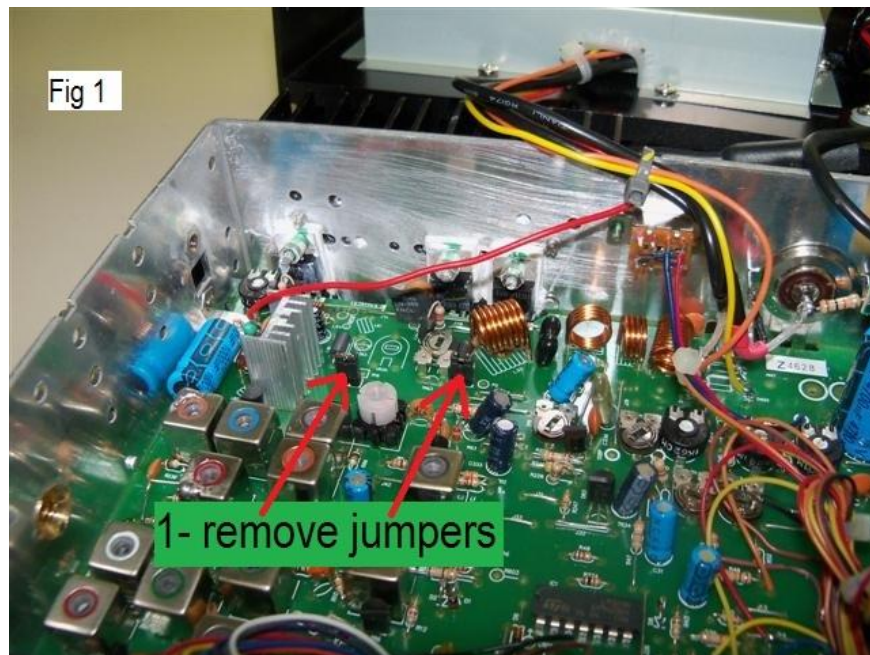
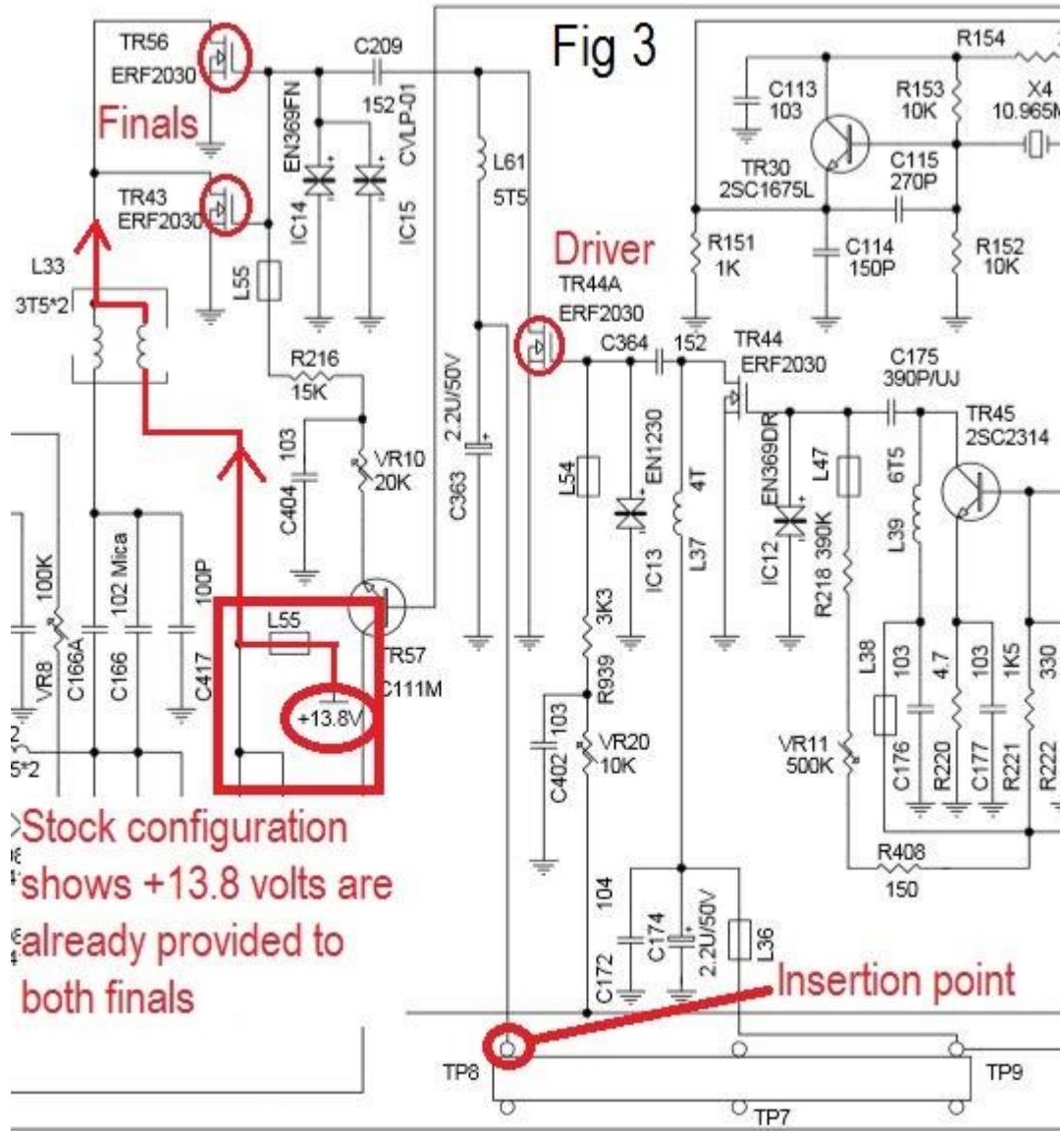


Asymod installation Instructions for Magnum S-9 /175

The Magnum S-9 175 has two 2 x ERF2030 finals on the rear of the unit which drive the attached SX-175 amplifier system mounted on the large heat sink on the bottom of the unit. In this case, only the driver TR44 needs to be modulated. Simply connect the Asymod output to the driver (TR44 at TP9) and feed +12 volts to the finals (TR56 and TR43 at TP7). A single MJE3055T transistor setup will be sufficient for this configuration.

The schematic diagram shows +12 volts are already fed to the finals TR56 and TR43 as seen on Fig. 3, however, check and make sure as various versions of the Magnum S-9 might be configured differently. If +12 volts are not present at TP7 which feeds the TR56 and TR43 finals as seen in Fig. 2 when in AM mode, then remove the jumper at TP7 and apply +12 volts at the red dot as seen in step 3 in Fig 2.





> Stock configuration shows +13.8 volts are already provided to both finals

Note: Very unlikely, but in case of difficulties achieving -100% modulation peaks, adjust VR10, the 20K pot and lower the bias as needed. Factory bias settings calls for 75 to 100mA, try lowering the bias to about 50 mA.